



ROSA-LC 10Gbps 850nm

Features:

Data rate: 10Gb/s
 Wavelength: 850nm
 Operating temperature: -40 to 85°C
 High optical return loss (ORL)
 Receiver sensitivity: -28dBm (RSSI)
 Durable LC package

Applications:

High speed data center applications
 10Gb Ethernet

Specifications:

Absolute Maximum Ratings

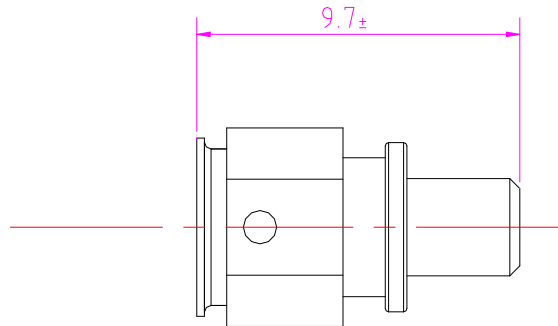
Parameter	Symbol	Min	Max	Unit
Insertion Loss	P	--	5	dB
Operating Temperature	T	-40	85	
Storage Temperature	T	-40	100	
Lead Solder Temperature	--	--	260	
Lead Solder Temperature	--	--	10	

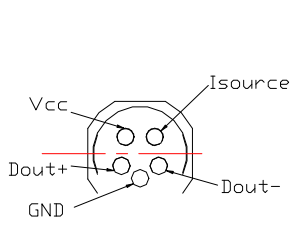
Specifications (T=25°C, unless otherwise noted)

Parameter	Symbol	Test Conditions	Min.	Typ.	Max.	Unit
Supply Voltage	Vcc	--	3.0	3.3	3.6	V
Supply Current	Icc	Vcc=3.3V	--	--	40	A
Optical Power		Vcc=3.3V	830	850	870	
RSSI Offset	Id	Vcc=3.3V	--	--	100	A
Optical Loss	OL	Vcc=3.3V	3	--	--	dB
Sensitivity	S	10.3125Gb/s, PRBS31, 850nm, ER=4.5dB, BER=10E-12	--	--	-13	dB

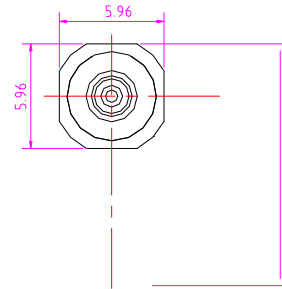
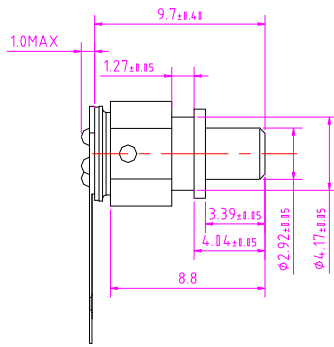


Mechanical Dimension and Pin Assignment:





PAD1
PAD6



	A	B
1	PAD ASSIGNMENT	
2	PAD1	Vcc
3	PAD2	GND
4	PAD3	DOUT+
5	PAD4	DOUT-
6	PAD5	GND
7	PAD6	Isource